

# AC 2000

## SEMI AUTOMATIC TABLET COUNTING MACHINE

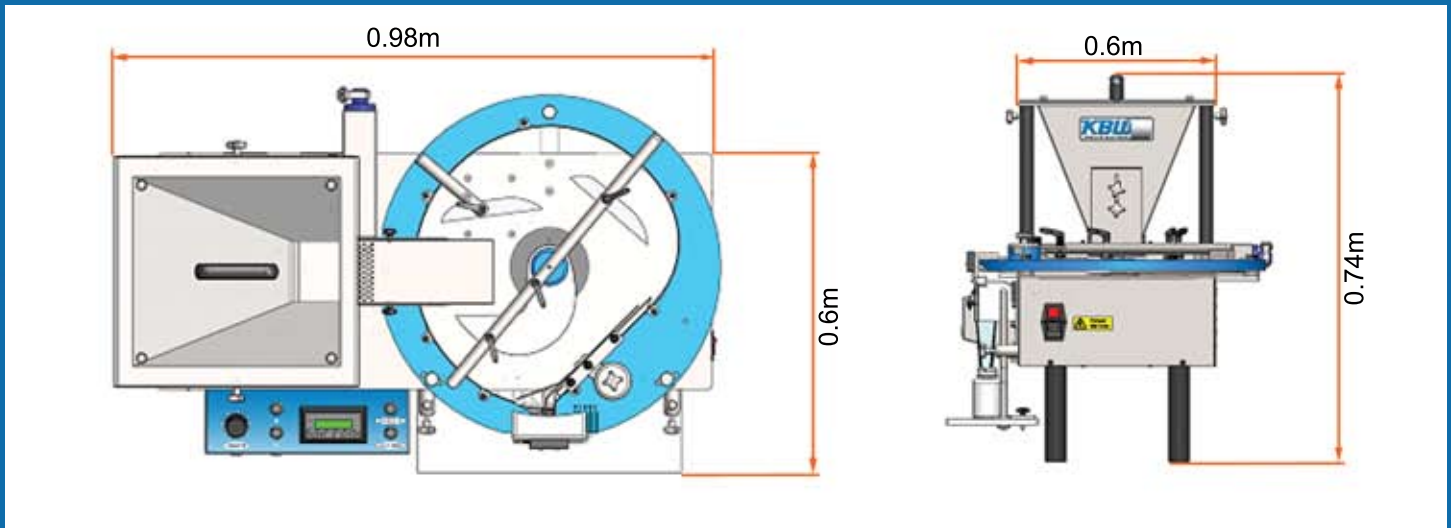
The AC 2000 offers small to medium scale counting operations with an unparalleled flexibility over a wide range of tablet types.



### MACHINE FEATURES

- Counts coated and uncoated tablets, hard and soft gelatine capsules and dragees.
- Digitally controlled count adjustment.
- Accurate dispensing with excellent repeatability.
- Simple operation with fast product change over.
- Tool free removable product contact parts.
- Dust extraction point.
- Constructed in compliance with FDA approved materials.
- Optional full IQ/OQ Validation support documentation
- Small machine footprint

# YOUR PARTNER IN PACKAGING



## TECHNICAL SPECIFICATION

Output:	30 bottles per minute based on a 50 count Ø5mm round tablet.
Electrical Control System:	Omron.
Electrical Requirements:	220/240V 50 Hz 1 Ph or 110/120V 60 Hz
Build Standard:	cGMP, CE marked in accordance with Machinery Directive 2006/42/EC
Product Size:	Tablet Ø5mm - 15mm Capsule #5 -#00
Container Size:	Diameter - 15mm - 70mm Height - 25mm - 200mm
Nett Weight:	110Kg

## OPERATION

Tablets or capsules are loaded into a product hopper which progressively feeds them into a vibratory feeder tray. The product then drops onto a rotating glass disc where a set of guides pre orientate the product into a single stream.

The product proceed to pass through a counting sensor where they are diverted through dispensing funnels into one of the pre positioned containers waiting below. When the count target is reached the divider flap switches position and directs the product into the next container.