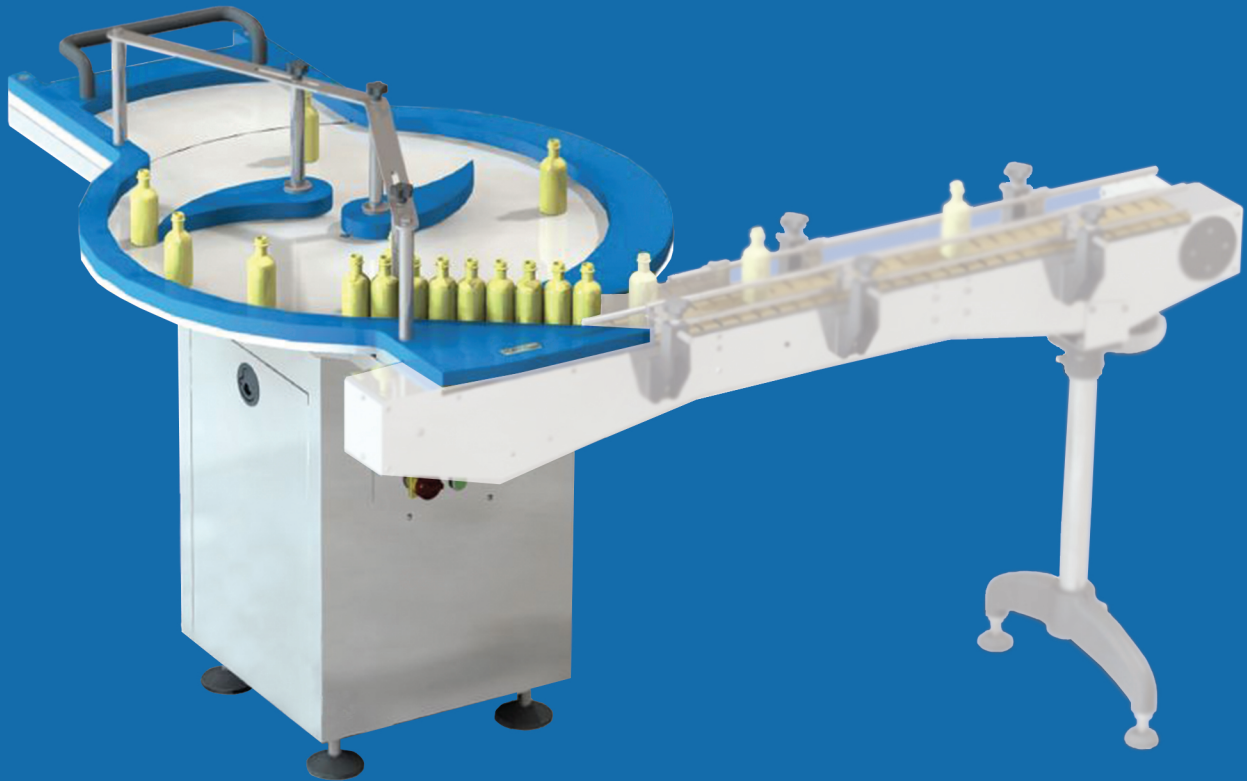


AUU 0001

ACCUMULATION TABLE

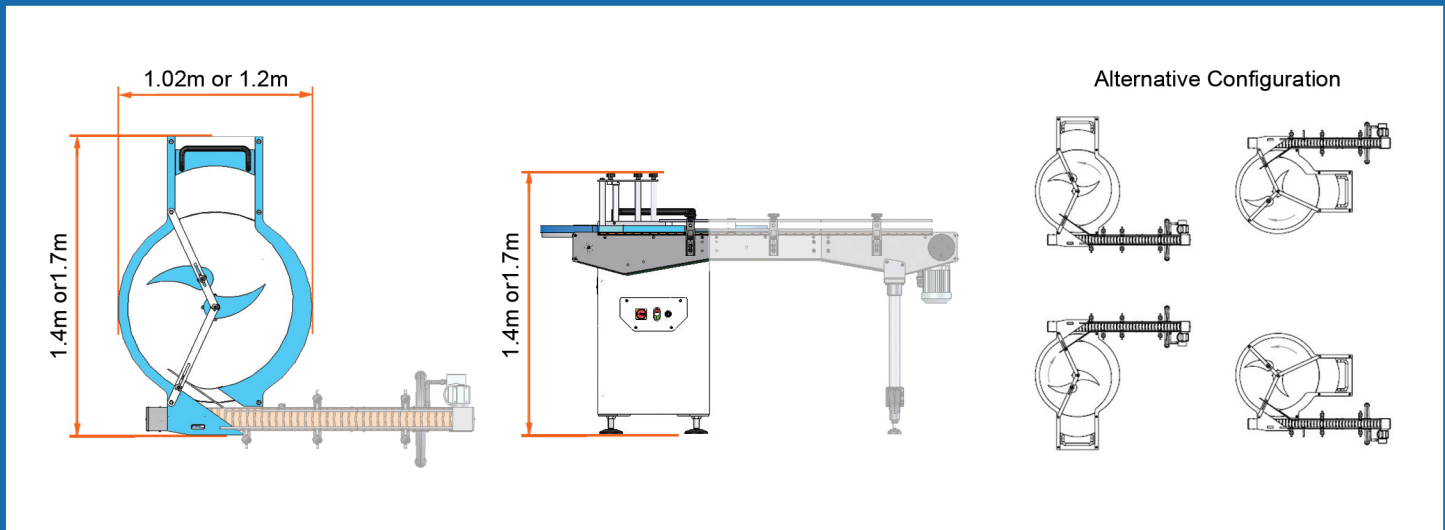
The AUU 0001 offers the user a cost effective solution for separating and randomly unscrambling containers in low to medium volume production environment.



MACHINE FEATURES

- Large capacity table.
- Inverter controlled variable speed drive.
- Tool-less design for fast product changeovers.
- Simple operation.
- Hygienic design using FDA approved materials.
- Multiple loading tray mounting configuration.
- Container agitator for irregular shape containers.

YOUR PARTNER IN PACKAGING



TECHNICAL SPECIFICATION

Output:	Up to 60 containers per minute (Container and operator dependent) up to Ø120mm diameter.
Electrical Control System:	Omron, Telemecanique, Leze, Klockner Moeller.
Electrical Consumption:	0,5 kW (Approx).
Build Standard:	cGMP, CE marked in accordance with Machinery Directive 97/37/EEC.
Machine Construction:	Stainless steel 303/304, Grade 500 PE, Aluminium 6082 anodised. All surfaces are detergent resistant and all handling materials are FDA approved
Product Size:	Diameter 1.02m - 1.2m Depth 1.4m - 1.7m, Height 1.2m
Container Size:	Container up to Ø120mm
Electrical Consumption:	0.5kW (Approx).

OPERATION

The operator places the containers onto the In-feed table where it uses rotary motion to unscramble and move the containers to the outside edge to form a single line onto the conveyor line.

This table, at the front of the packaging line, can be configured with the loading tray sited to suit the operational layout.

Another table option is a buffer table for where there may be output speed variations between machines in a line. At the end of the line the containers can be fed onto an accumulation table where they rotate to give the operator time to remove the product from the line for packing.